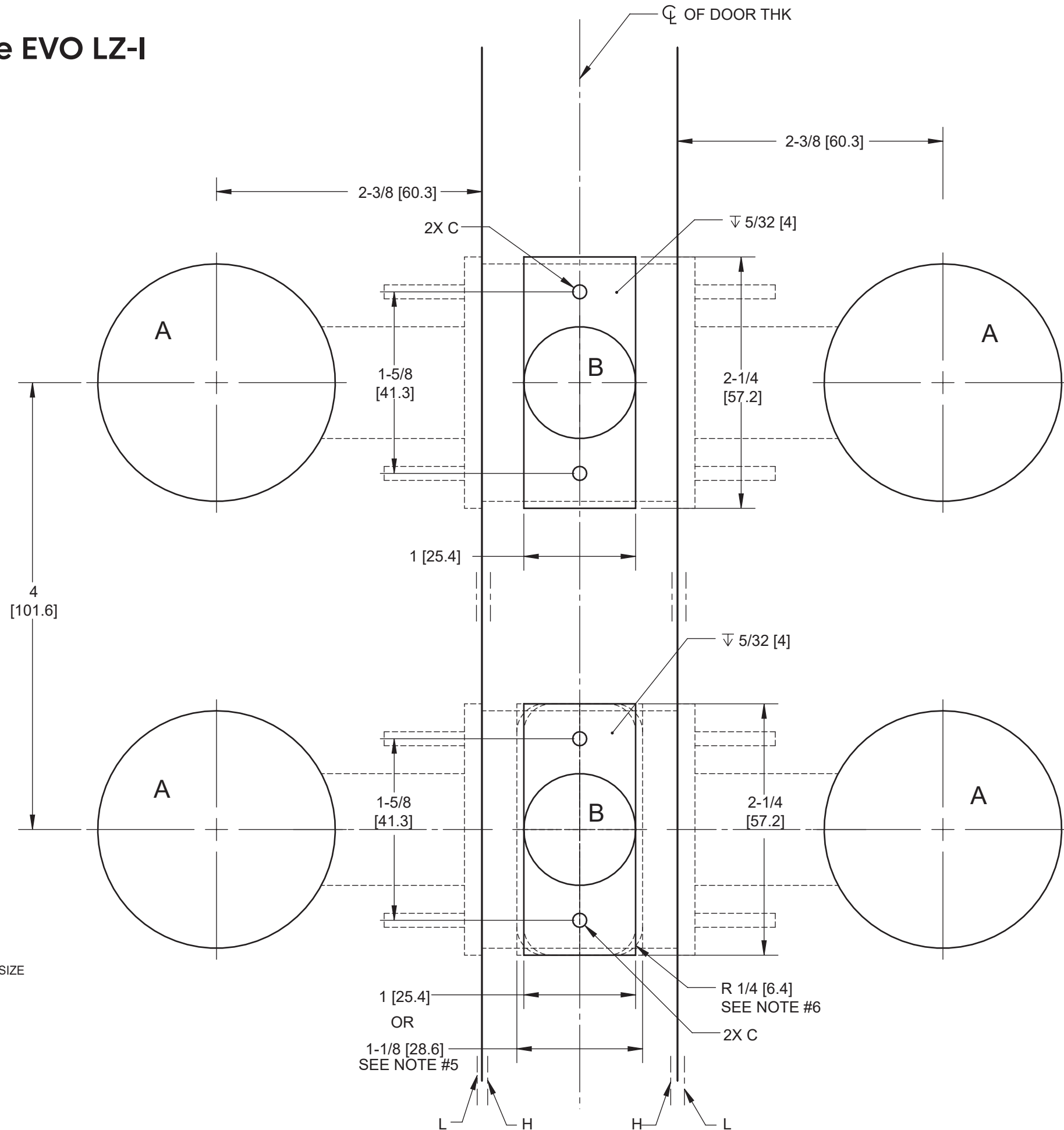


# Saffire LX-I & Saffire EVO LZ-I

2-3/8" Backset  
4" Drilling template



TEMPLATE TO SCALE 1:1, FULL SIZE

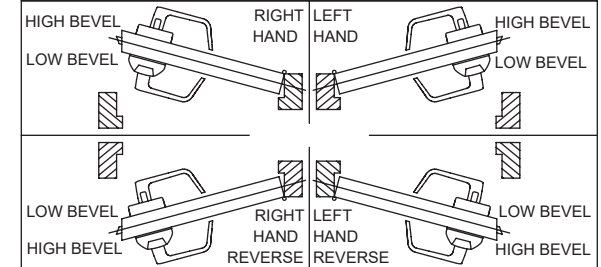
VERIFY EXACTLY  
1" [25.4].



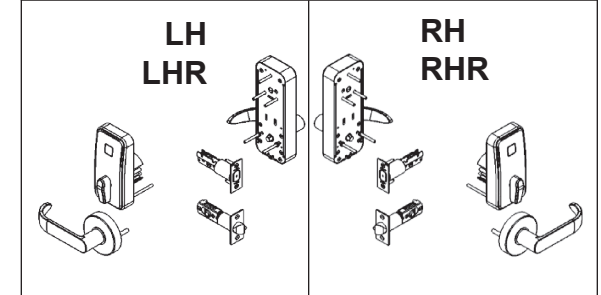
1 [25.4] OR 1-1/8 [28.6] SEE NOTE #5  
R 1/4 [6.4] SEE NOTE #6  
2X C

HOLE ID	DIM inch/[mm]	∇ inch/[mm]	COMMENTS
A	∅ 2-1/8 [∅ 54.0]	-	
B	∅ 1 [∅ 25.4]	UP TO HOLE "A"	
C	∅ 3/32 [∅ 2.4]	5/8 [15.9]	
D	∅ 5/32 [∅ 4.0]	3 [76.2]	JAMB SIDE
E	∅ 1/8 [∅ 3.2]	3/4 [19.1]	

UNLESS OTHERWISE NOTED, DRILL HALF DOOR THICKNESS ON BOTH SIDES.

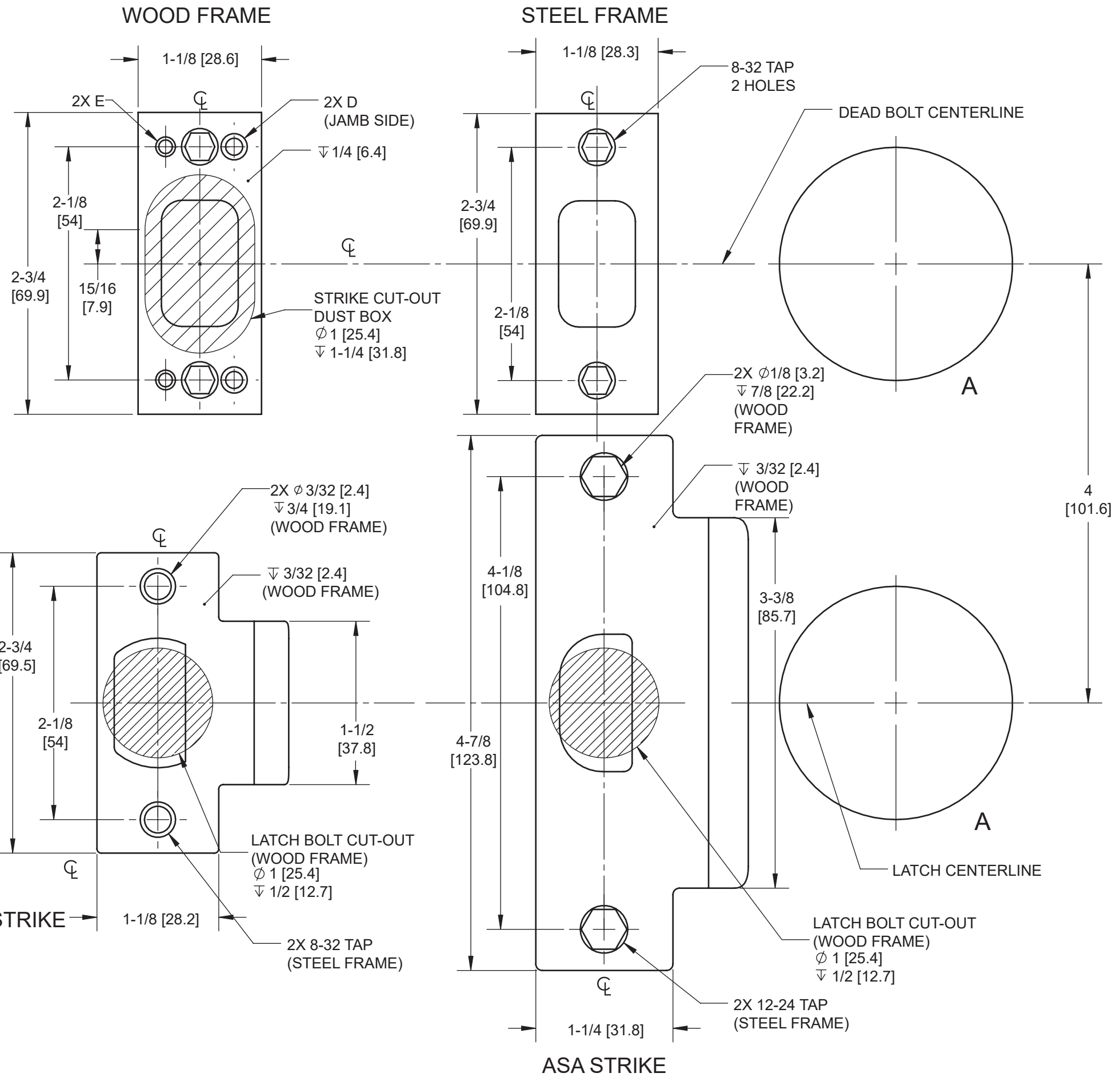


- NOTES:
- FOR DIMENSIONS AND TOLERANCES REFER TO CORRESPONDING DOOR PREPARATION DRAWING IP-516477.
  - FOLDING LINES HIGH (H) AND LOW (L) FOR BEVEL EDGES SHOWN ARE FOR DOOR WITH 3° BEVEL ANGLE.
  - SYMBOLS:
    - ∇ DEEP
    - ⊕ CENTERLINE OF DOOR
    - ∅ DIAMETER
  - ALL DIMENSIONS ARE IN INCHES [mm].
  - DO THE CUT OUT ACCORDING TO SELECTED LATCH BOLT (1" OR 1-1/8" WIDE).
  - IF THE SELECTED LATCH BOLT HAS RADIUS, MAKE CUT OUT WITH RADIUS.



**WARNING**

- To verify lock coverage and door operation meets expectations, dormakaba strongly recommends completing a full door mockup. This will ensure that all necessary products and parts for a successful installation are included.
- Always validate that you have selected the correct template for specific lock model being installed. The same lock model can be offered with different locking device options.
- Always validate after printing to confirm the dimensions listed on the drawing have printed on a 1:1 scale.
- If you have any questions, please contact your local sales representative or authorized reseller.



TEMPLATE TO SCALE 1:1, FULL SIZE

VERIFY EXACTLY  
1" [25.4].

